

QP-PowerSprayer

Matsusaka

**Ideal & Economical Choice for
Spraying or Spreading agricultural chemicals for sterilization on farms!
Cleaning machines/vehicles with high pressure-water!**



QP-PS25E/PS45E



QP-PS25/PS45



Thick and strong pipe frame of 22.2dia is applied for the protection from external shock.

Handles with knurling are attached on the frame for easy carry by two persons.



The Design & Shape of "Suction Chamber is changed!! The Logo Mark of Matsusaka now cast out in printing!!



The Design & Shape of "Safety Valve Assy" is changed and the both are interchangeable in a completed assy!!!





The Design & Shape of Air Chamber is changed but 100% interchangeable in between!!



MATSUSAKA ENGINEERING CO., LTD.

QP-Power Sprayer Specification

**Two models of the class lineup pump 20-30 liters per minute water absorption.
Improved usability and maintenance.**

	QP-PS25E	QP-PS45E
		
Packing Dimension	※ 695 × 535 × 430 (L × W × H)mm	※ 695 × 535 × 430 (L × W × H)mm
Dimension of a completed unit	※ 900 × 505 × 358 (L × W × H)mm	※ 900 × 505 × 385 (L × W × H)mm
Gross Weight (in package)	※ 38kg	※ 41kg
Max. Pressure	3.9 (40) Mpa(kgf/cm ²)	3.9 (40) Mpa(kgf/cm ²)
Suction Volume	10~20 (L/min)	15~30(L/min)
Pump Rev	700~1100 (r.p.m)	600~1000(r.p.m)
Required Power	1.5 (2.1) kw(ps)	3.0(4.0) kw(ps)
Pump Pulley & V-Belt	8 (inch)/ A × 2	8 (inch)/ A × 2
Delivery port	G 1/4 (8.5mm) × 2	G 1/4 (8.5mm) × 2
Engine	MEiKi Power · Honda	MEiKi Power · Honda

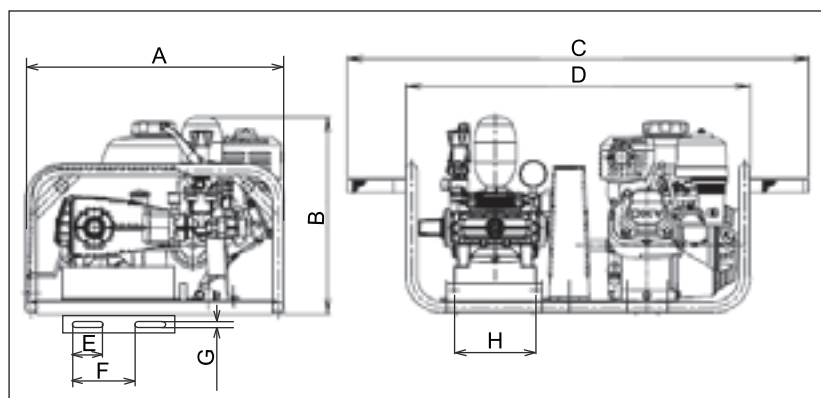
Standard accessories

Suction Hose	G 3/4 × 2.7m	G 1 × 3m
Overflow (Return) Hose	G 1/2 × 2.4m	G 1/2 × 2.4m
Tool kit	Screwdriver · V-Packing Adjustment Spanner · Open end spanner	Screwdriver · V-Packing Adjustment Spanner · Open end spanner
Spare Parts	V-Packing × 9 · V-Packing Seat × 3	V-Packing × 9 · V-Packing Seat × 3
Strainer	○	○

※Case of set with Engine.

* All features and specifications are subject to change without notice!

Outer Dimensions of Bare Pump



Measurement [mm]

Section shown on left	MODEL	
	QP-PS25	QP-PS45
A	505	505
B	358	385
C	900	900
D	670	670
E	46	46
F	108	108
G	10	10
H	112	184



Manufactured by:
MATSUSAKA ENGINEERING CO., LTD.

<http://www.qp-pump.com>

Head 23, Kanda-Matsunaga cho, Chiyoda ku, Tokyo, Japan
Office TEL: +81-3-3257-6130 FAX: +81-3-3257-6129

Plant 2155, Nonaka, Taki cho, Taki gun, Mie-pref, Japan
TEL: +81-598-39-3211 FAX: +81-598-39-3131



Distributed by: