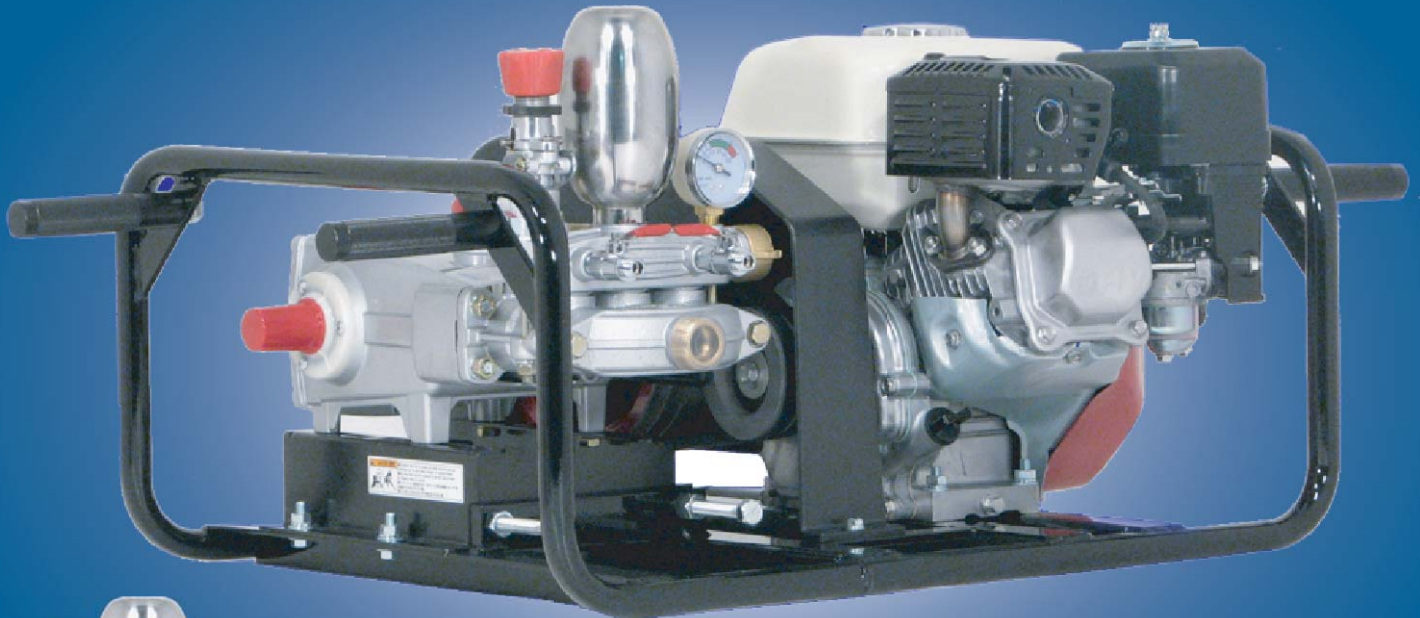


QP-PowerSprayer

Matsusaka

**Ideal & Economical Choice for
Spraying or Spreading agricultural chemicals for sterilization on farms!
Cleaning machines/vehicles with high pressure-water!**



QP-PS25E/PS45E



QP-PS25/PS45



Thick and strong pipe frame of 22.2dia is applied for the protection from external shock.

Handles with knurling are attached on the frame for easy carry by two persons.



The Design & Shape of "Suction Chamber is changed!! The Logo Mark of Matsusaka now cast out in printing!!



The Design & Shape of "Safety Valve Assy" is changed and the both are interchangeable in a completed assy!!!





The Design & Shape of Air Chamber is changed but 100% interchangeable in between!!



MATSUSAKA ENGINEERING CO., LTD.

QP-Power Sprayer Specification

Three models of the class lineup pump 20-40 liters per minute water absorption.
Improved usability and maintenance.

	QP-PS25E	QP-PS45E	QP-PS55E
			
Packing Dimension	※ 685 × 535 × 430 (L × W × H)mm	※ 685 × 535 × 430 (L × W × H)mm	※ 780 × 670 × 545 (L × W × H)mm
Dimension of a completed unit	※ 900 × 505 × 374 (L × W × H)mm	※ 900 × 505 × 385 (L × W × H)mm	※ 740 × 630 × 505 (L × W × H)mm
Net Weight	※ 33kg	※ 36kg	※ 67kg
Max. Pressure	3.9 (40) MPa(kgf/cm ²)	3.9 (40) MPa(kgf/cm ²)	3.9 (40) MPa(kgf/cm ²)
Suction Volume	14~18 (L/min)	27~34(L/min)	38~52(L/min)
Pump Rev	800~1000 (r.p.m)	700~900(r.p.m)	550~750(r.p.m)
Power	3.5 ~ 4.2(ps)	4.9~6.3(ps)	8.6 ~ 9.0(ps)
Pump Pulley & V-Belt	8 (inch)/ A × 2	8 (inch)/ A × 2	10(inch) / B × 2
Delivery port	G 1/4 (8.5mm) × 2	G 1/4 (8.5mm) × 2	G 1/4 (8.5mm) × 2
Engine	Mitsubishi · Honda	Mitsubishi · Honda	Honda · Robin

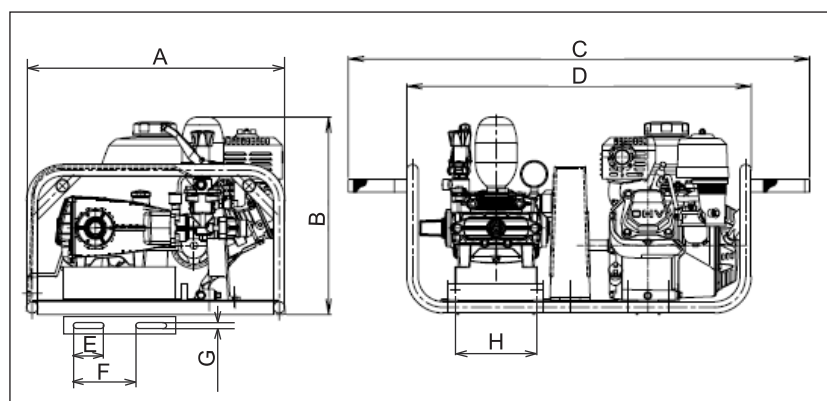
Standard accessories

Suction Hose	G 3/4 × 2.7m	G 1 × 2.7m	G 1 1/4 × 3.0m
Overflow (Return) Hose	G 1/2 × 2.7m	G 1/2 × 2.7m	G 1 × 3.0m
Tool kit	Screwdriver, V-Packing Adjustment Spanner Open end spanner	Screwdriver, V-Packing Adjustment Spanner Open end spanner	Screwdriver, V-Packing Adjustment Spanner Open end spanner
Spare Parts	V-Packing × 9 · Valve Packing x 6	V-Packing × 9 · Valve Packing x 6	—
Strainer	○	○	○

※ Case of set with Engine.

* All features and specifications are subject to change without notice!

Outer Dimensions of Bare Pump



Measurement [mm]

Section shown on left	MODEL		
	QP-PS25	QP-PS45	QP-PS55
A	505	505	630
B	374	385	505
C	900	900	—
D	670	670	740
E	46	46	46
F	106	108	148
G	10	10	10
H	164	185	142



Q048



Manufactured by:
MATSUSAKA ENGINEERING CO., LTD.

<http://www.qp-pump.com>

Head office:
23, Kanda-Matsunaga cho, Chiyoda ku, Tokyo, Japan
TEL: +81-3-3257-6130 FAX: +81-3-3257-6129
Plant:
2155, Nonaka, Taki cho, Taki gun, Mie-pref, Japan
TEL: +81-598-39-3211 FAX: +81-598-39-3844

Distributed by: