

**HONDA** engine driven

**Matsusaka**

**3 inch - 4 inch**

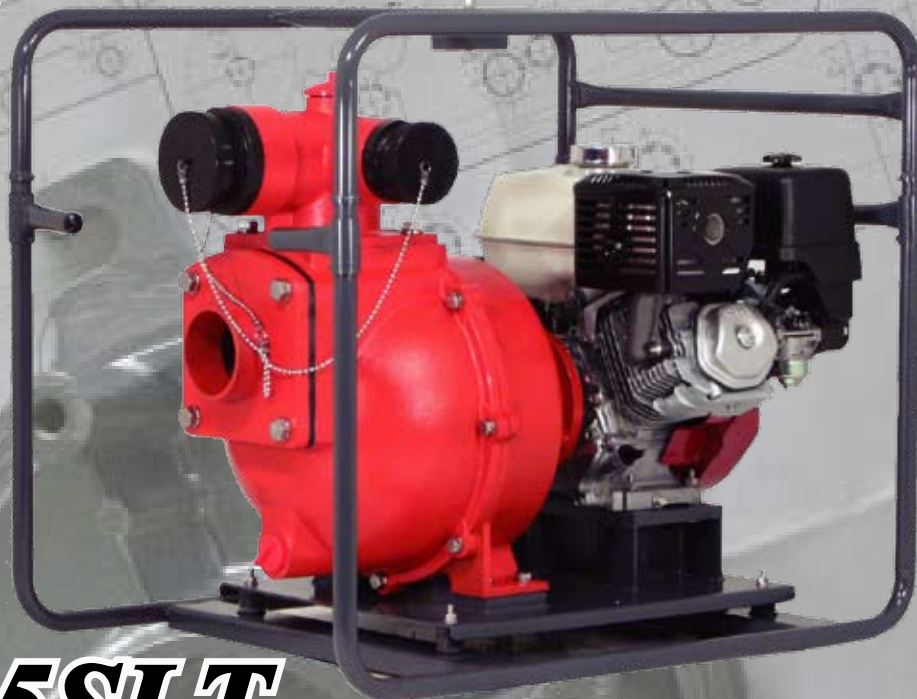
**Push water higher & further!**



**402SX**



**305SL**



**T405SLT**



**402S**



**305S**



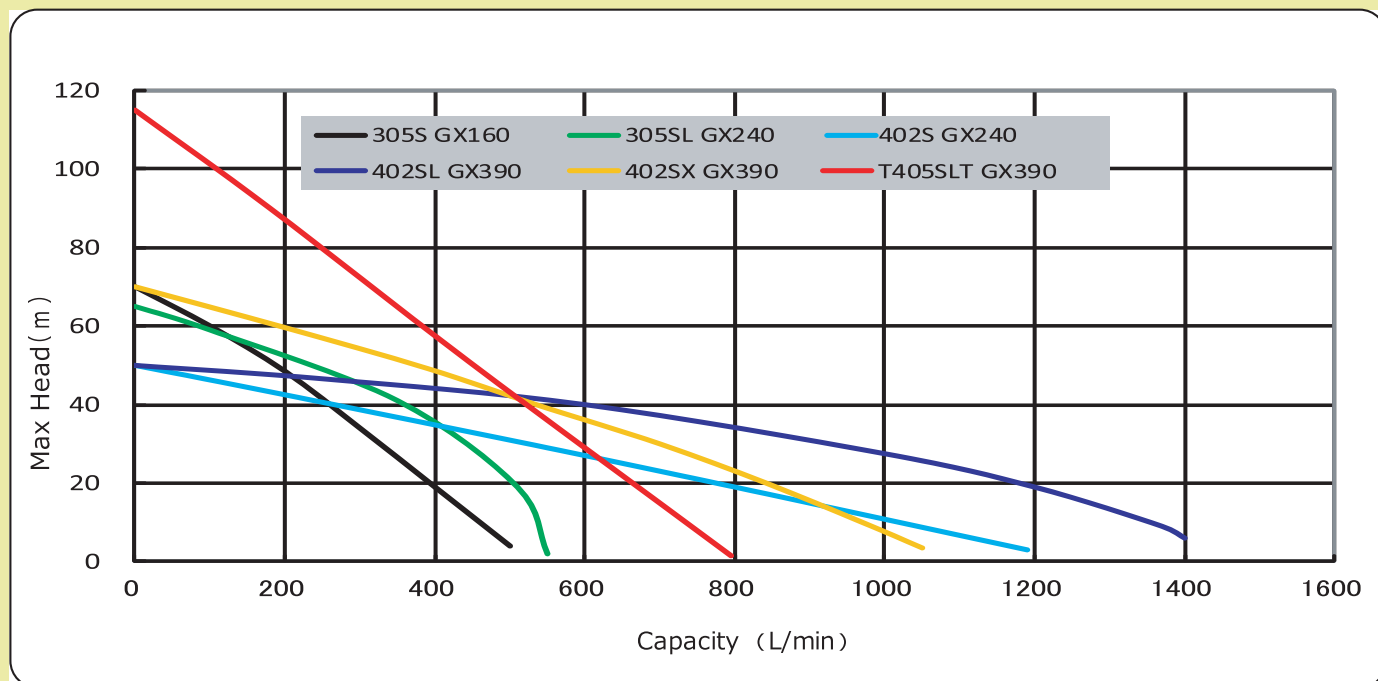
MATSUSAKA ENGINEERING CO., LTD.

▶▶▶ Specifications [Honda Air-cooled Gasoline Engine driven QP High pressure Pump]

MODEL	QP-305S	QP-305SL	QP-402S	QP-402SL	QP-402SX	QP-T405SLT
Engine Type	GX160	GX240	GX240	GX390	GX390	GX390
Inlet dia. × Outlet dia. ( mm )	80 × 80	80 × 80	100 × 100	100 × 100	100 × 100	100 × 100
Max. Head ( m )	70	65	50	50	70	115
Max. Capacity ( L/min. )	480	550	1200	1400	1050	795
Net Weight ( kg )	29	42	59	70	70	127
Engine Net Power ( PS )	4.9	8.0	8.0	11.8	11.8	11.8

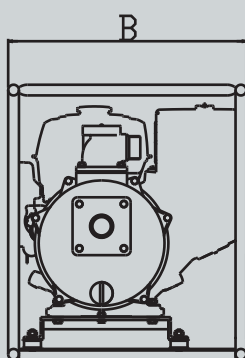
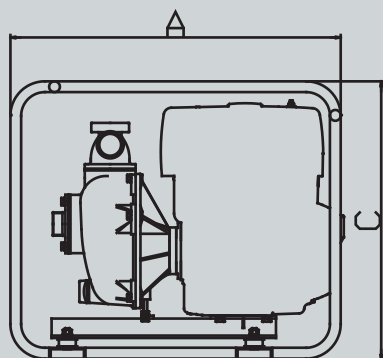
Specification may be changed without prior notice !

▶▶▶ Performance curves



▶▶▶ Outer Dimensions

A wheel & tyres shown available at option !



MODEL		mm		
		A	B	C
QP-305S	GX160	523	386	460
QP-305SL	GX240	622	454	560
QP-402S	GX240	670	466	605
QP-402SL	GX390	722	500	608
QP-402SX	GX390	722	500	608
QP-T405SLT	GX390	914	711	812



Manufactured By:

**MATSUSAKA ENGINEERING CO., LTD.**



Q048



CM022

<http://www.qp-pump.com>

Head 23, Kanda-Matsunaga cho, Chiyoda ku, Tokyo, Japan  
office TEL: +81-3-3257-6130 FAX: +81-3-3257-6129

Plant 2155, Nonaka, Taki cho, Taki gun, Mie-pref, Japan  
TEL: +81-598-39-3211 FAX: +81-598-39-3844

Distributed By: